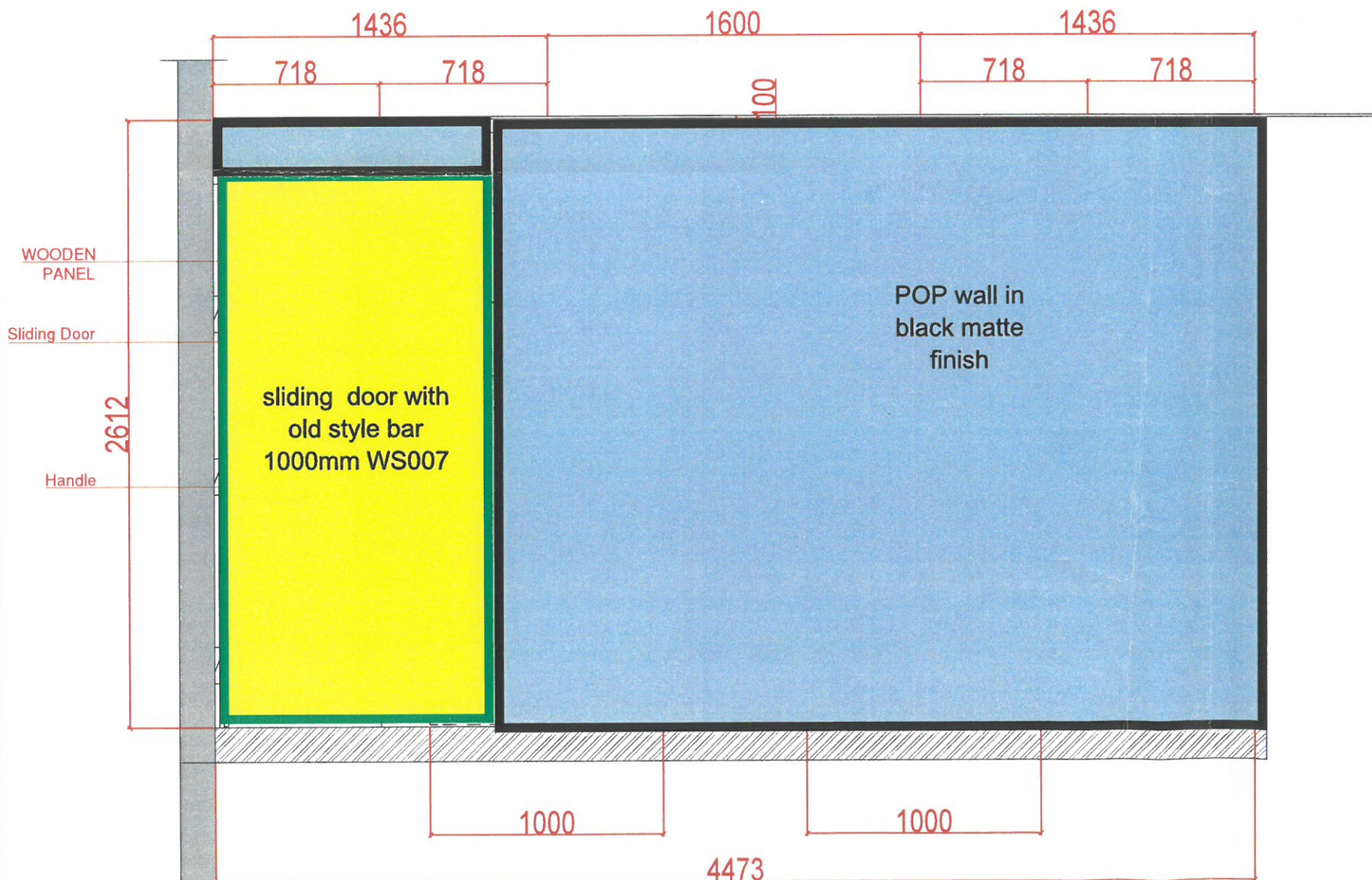
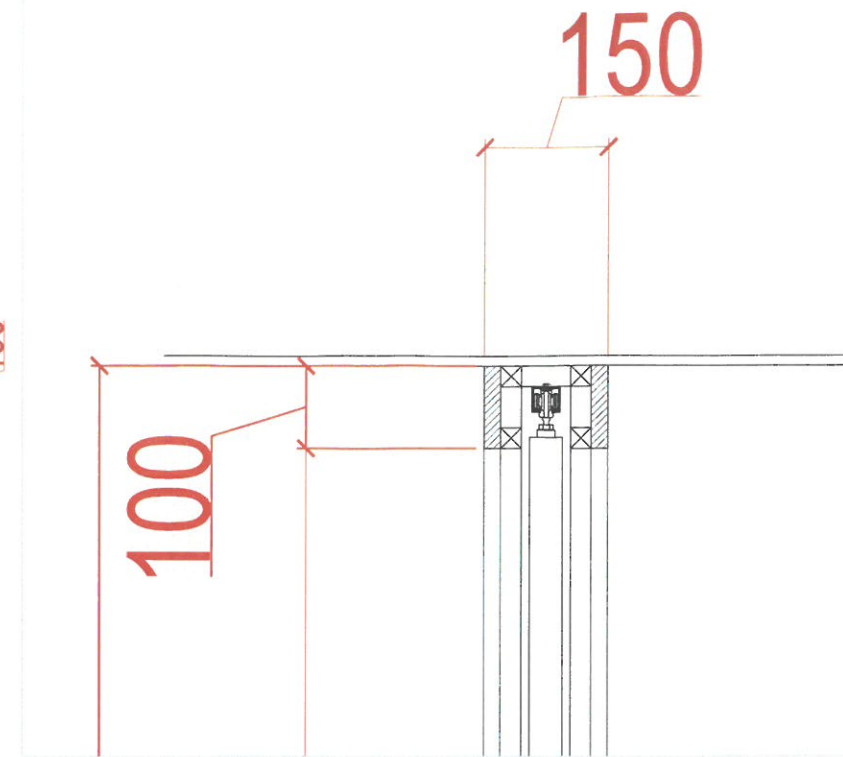
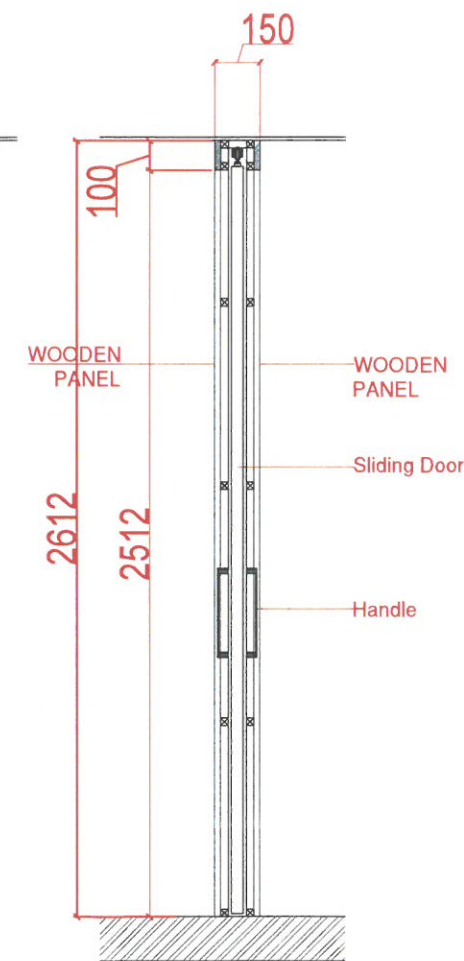


Proposed Floor  
Pocket Double Sliding Door  
Floor Plan Details



Proposed Elevation  
Pocket Double Sliding Door



Proposed  
Sectional Detail  
Pocket Double Sliding Door

FOR APPROVAL

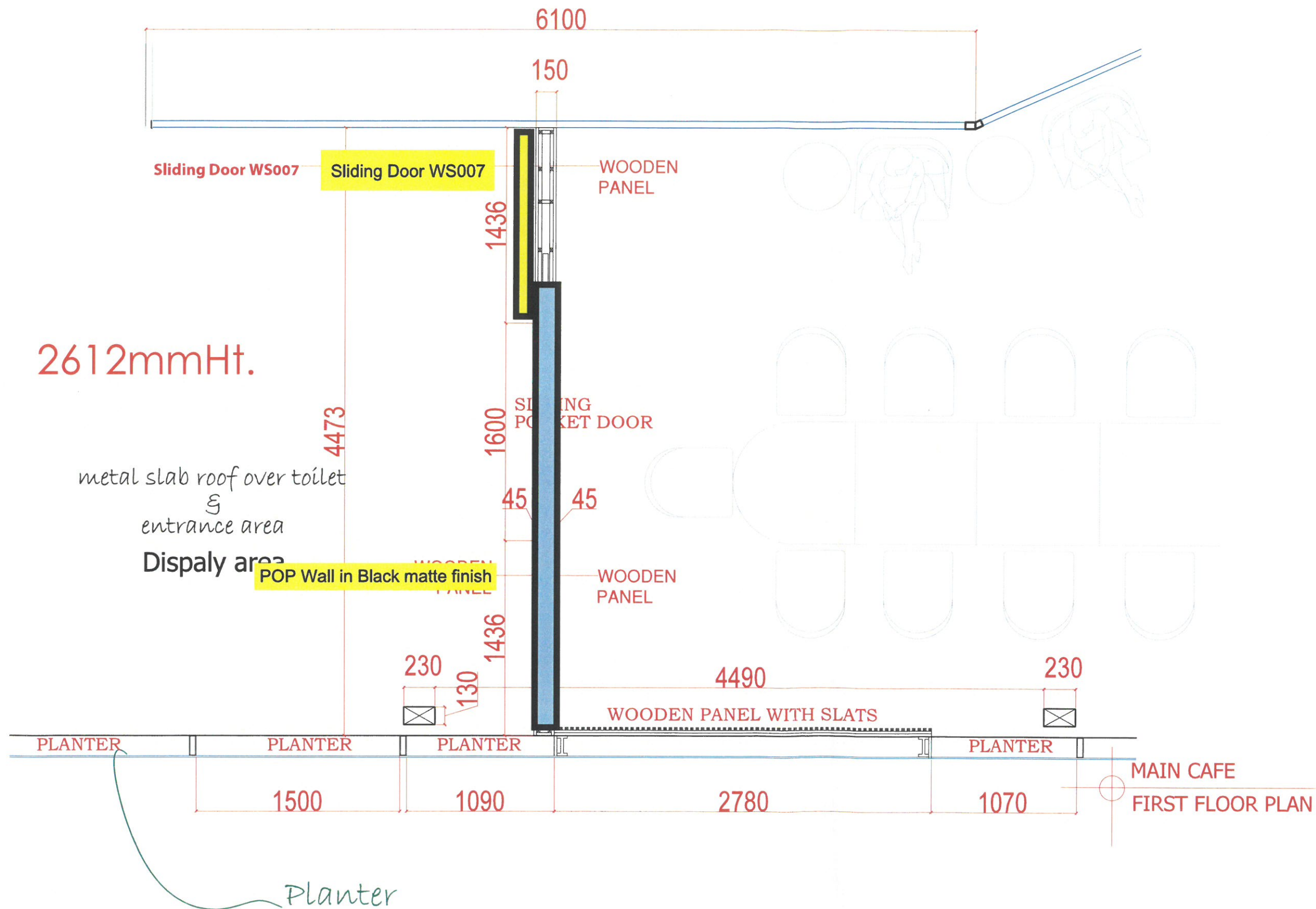
**FOR APPROVAL**

Project No. : --  
Scale : N/A  
Drawn by : OBJ  
Checked : OBJ  
Cad File : CAD\_FILE

Sheet title  
**MAI SHAYI CAFE  
FIRST FLOOR  
Cladding with Double door**

Dwg No.  
**WS-DS-SD-MS-008**

No.  
**SHEET 1**



Project  
**MAI SHAYI CAFE  
ABUJA.**

Owner  
---

Date	Description
DSD-V1-ID-31/5/2024 - REV1	

**FOR APPROVAL**

Project No. : —  
Scale : N/A  
Drawn by : OBJ  
Checked : OBJ  
Cad File : CAD\_FILE

Sheet title  
**MAI SHAYI CAFE  
FIRST FLOOR  
Wooden Panel with slats**

Dwg No. <b>WS-DS-SD-MS-008</b>	No. <b>SHEET 3</b>
-----------------------------------	-----------------------

